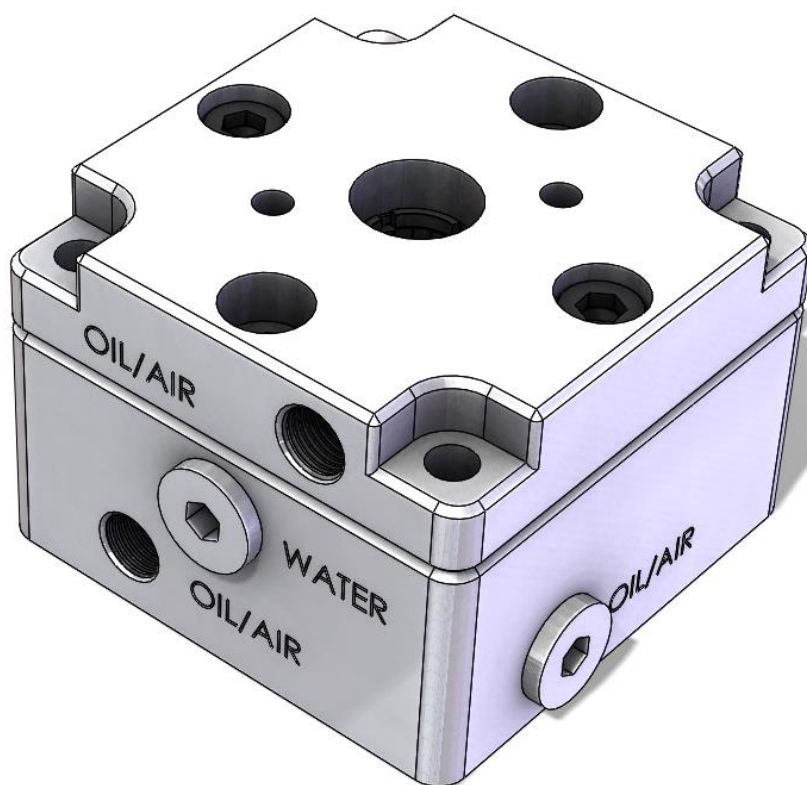


MP SEAL KIT

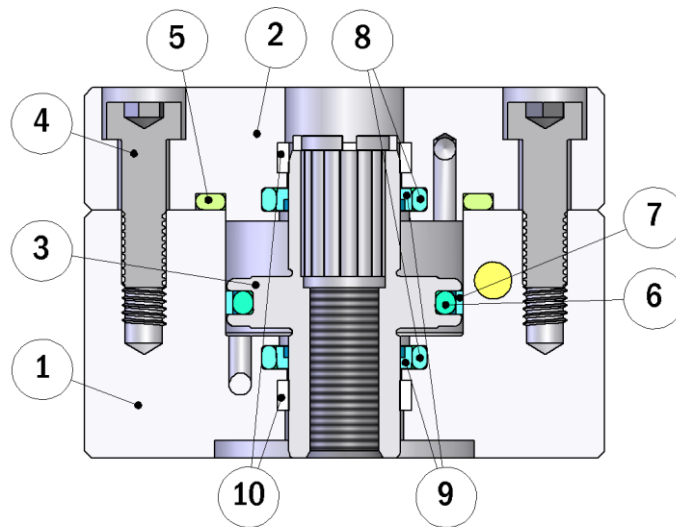
CB2.1 CLICK/FIX

Part.no: 0090300



 **MasterFlow**[®]

LEADER IN HOT RUNNER TECHNOLOGY



INCLUDED IN SEAL KIT

10	2	PISTON GUIDE BAND
9	2	MP PISTON SEAL ROD
8	2	MP PISTON SEAL ROD O-RING VITON
7	1	MP PISTON SEAL
6	1	MP PISTON SEAL O-RING VITON
5	1	MP ORING CB20 VITON
4	-	SCREW M6x25
3	-	MP PISTON CYLINDER MFCY/MFCB 2.1 CLICK
2	-	MP CYLINDERBLOCK LID MFCB2
1	-	MP CYLINDERBLOCK BOTTOM MFCB2
Item	QTY.	Description

- Remove two M6 screws.
- Remove the CylinderBlock lid.
- Remove the piston.
- Use a pointed tool to carefully remove all the old seals.
- Clean the CB2. Be extra careful to clean all the O-ring seats.
- Replace all seals in their respective place. Recommended to use MasterFlows seal replace tool (for number 10).
- After all seals are in place, start to re assemble the CB2.1.
- Place piston in the cylinderblock house. Press firmly until you feel that the piston is in the right place.
- Align the lid vertically and secure with the two M6 screws.